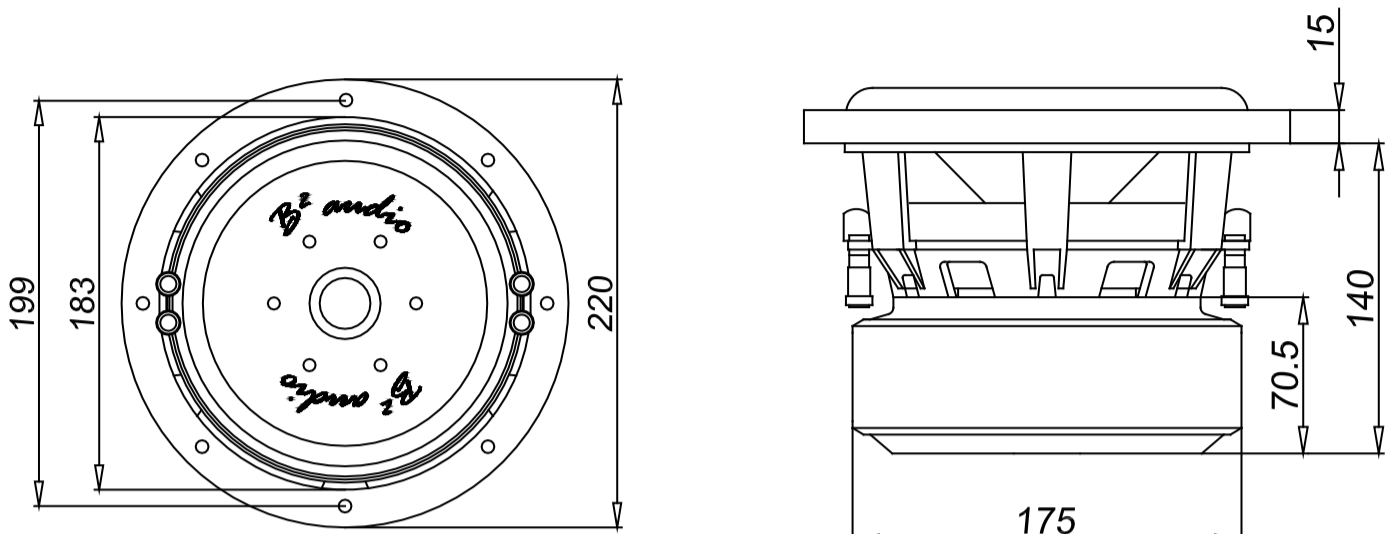




MODEL: CC8

Product id: CC8D114



## ENCLOSURE SUGGESTIONS

SEALED: 20 L / 0.706 cu.ft (net), Qtc 0.38

PORTED: 30 L / 1.059 cu.ft (net), Port area 75 cm<sup>2</sup> length 36 cm  
FB 42 Hz / F-3 dB 33.9 Hz

Power handling*:	750 W
Sensitivity (2.83 V/1 m):	87.3 dB
Nominal impedance:	Dual 1Ω
X-Max:	12 mm
Equivalent Compliance (Vas):	7.4 L
Free Air Resonance (Fs):	36 Hz
Electrical "Q" (Qes):	0.41
Mechanical "Q" (Qms):	5.53
Total Speaker "Q" (Qts):	0.382
DC Resistance (Re):	1.1 Ω

B<sup>2</sup> audio



[www.b2-audio.com](http://www.b2-audio.com) / [www.b2audio.com](http://www.b2audio.com)  
Sales & Marketing: [bh@b2-audio.com](mailto:bh@b2-audio.com)  
Technical support: [bm@b2-audio.com](mailto:bm@b2-audio.com)  
General requests: [b2audio@hotmail.com](mailto:b2audio@hotmail.com)  
[www.facebook.com/b2audio](http://www.facebook.com/b2audio)

\*It's essential that our speakers are given time to allow the suspension to soften up. Depending on use, this may take several weeks. While this process is undergoing, it is not recommended to apply full amplification power according to the speakers specs. Once the moving parts have been broken in, the performance of your speaker will increase. Abuse of the unit is **not** covered by warranty. The warranty does not cover (1) Speakers that have been used for spl purpose in competitions, (2) Damage caused by amplifier clipping or distortion, (3) Exposure to water, oil, solvent & excessive temperatures +/- (4) Transportation damages. (5) Cost of shipping to / from authorized service center.