

B² audio

MODEL: EL10/EL12

MODEL: IS10/IS12/IS15

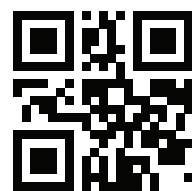
PRODUCT ID:EL10D415

PRODUCT ID:EL12D415

PRODUCT ID: IS10D215

PRODUCT ID: IS12D215

PRODUCT ID: IS15D215



EL10/EL12 IS10/IS12/IS15

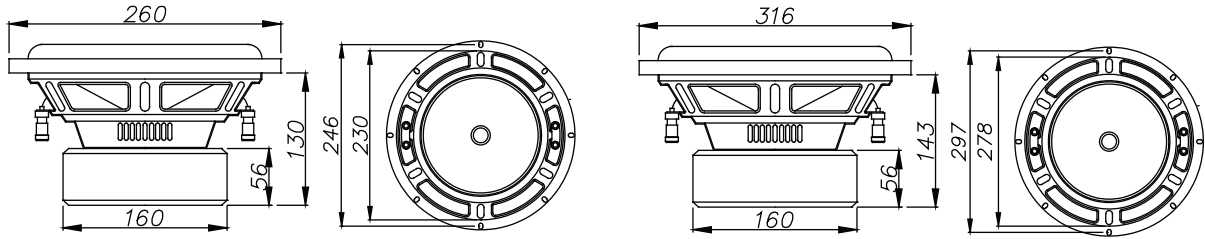
OWNER'S MANUAL



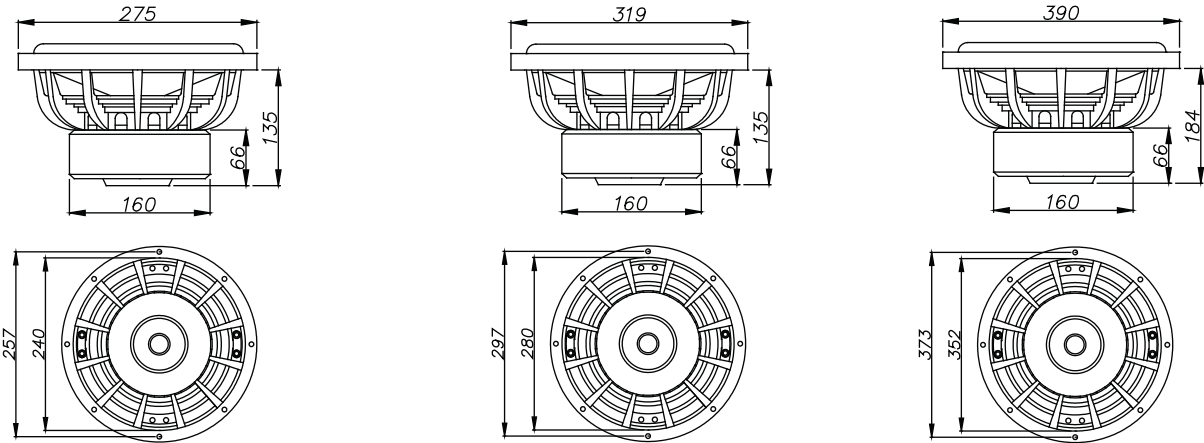


SWEET LIKE DANISH

MODEL: EL10/EL12



MODEL: IS10/IS12/IS15



Model:	EL10D4	EL12D4	IS10D2	IS12D2	IS15D2
Sensitivity:	87.5dB	89.5dB	87.42 dB	89 dB	91,9 dB
Nominal Impedance:	Dual 4 Ω	Dual 4 Ω	Dual 2 Ω	Dual 2 Ω	Dual 2 Ω
DC Resistance (DC):	3.6Ω+3.6Ω	3.6Ω+3.6Ω	1.9Ω+1.9Ω	1.9Ω+1.9Ω	1.9Ω+1.9Ω
Voice Coil Dim:	2"	2"	2.5"	2.5"	2.5"
Power Handling*:	450 Watts	450 Watts	750 Watts	750 Watts	750 Watts
Peak Dynamic Power:	900 Watts	900 Watts	1500 Watts	1500 Watts	1500 Watts
XMAX one way (mm):	15	15	18	18	18
VAS:	26.4L	60.5L	16.9 L	33 L	88.6 L
FS:	37.2Hz	34.7Hz	33.6 Hz	32.1 Hz	28.9 Hz
QES:	0.51	0.54	0.56	0.59	0.61
QMS:	4.87	5.08	5,75	5,84	5,95
QTS:	0.46	0.47	0.51	0.54	0.55
Magnet:	100 Oz	100 Oz	120 Oz	120 Oz	120 Oz
Displacement:	2.4 L / .085 cu.ft	3.5 L / .12 cu.ft	2.6 L / .093 cu.ft	3.2 L / .11 cu.ft	6.1 L / 0.22 cu.ft

	ENCLOSURE SUGGESTIONS			
TYPE	SEALED	PORTED COMPACT	PORTED	BP 4TH
EL10	20 L / .71 cu.ft	33.5 L / 1.2 cu.ft	45.3 L / 1.6 cu.ft	S: 20 L / .71 cu.ft
	Qtc 0.479	P.A. 12.2 sq.in L: 18" FB: 36 Hz	P.A. 12.2 sq.in L: 12.5" FB: 36 Hz	P: 40 L / 1.4 cu.ft P.A. 18.6 sq.in L: 10.8"
EL12	20 L / .71 cu.ft	36.8 L / 1.3 cu.ft	86.5 L / 3.1 cu.ft	S: 22 L / .77 cu.ft
	Qtc 0.695	P: 4" L: 12.91" FB: 39 Hz	P.A. 23.3 sq.in L: 16.5" FB: 32 Hz	P: 35 L / 1.2 cu.ft P.A. 18.6 sq.in L: 20.2"
IS10	20 L / .71 cu.ft	28.3 L / 1 cu.ft	40 L / 1.4 cu.ft	S: 20 L / .71 cu.ft
	Qtc 0.54	P: 4" L: 15.75" FB: 42 Hz	P: 4" L: 16.5" FB: 35 Hz	P: 40 L / 1.4 cu.ft P.A. 15.5 sq.in L: 16.9"
IS12	25 L / .88 cu.ft	39.4 L / 1.4 cu.ft	60 L / 2.1 cu.ft	S: 25 L / .88 cu.ft
	Qtc 0.62	P: 4" L: 10.26" FB: 42 Hz	P.A. 18.6 sq.in L: 19.3" FB: 32 Hz	P: 50 L / 1.77 cu.ft P.A. 18.6 sq.in L: 22.2"
IS15	40 L / 1.4 cu.ft	70 L / 2.42 cu.ft	171 L / 6.05 cu.ft	S: 43.5 L / 1.54 cu.ft
	Otc 0.707	P: 6" L: 14.75" FB: 41 Hz	P.A. 29.4 sq.in L: 9" FB: 30 Hz	P: 76.4 L / 2.7 cu.ft P.A. 18.6 sq.in L: 14.7"

*It's essential that our speakers are given time to allow the suspension to soften up. Depending on use, this may take several weeks. While this process is undergoing, it is not recommended to apply full amplification power according to the speaker's specs. Once the moving parts have been broken in, the performance of your speaker will increase. Abuse of the unit is **not** covered by warranty. The warranty does not cover (1) Speakers that have been used for spl purpose in competitions, (2) Damage caused by amplifier clipping or distortion, (3) Exposure to water, oil, solvent & excessive temperatures +/- (5) Cost of shipping to / from authorized service center.