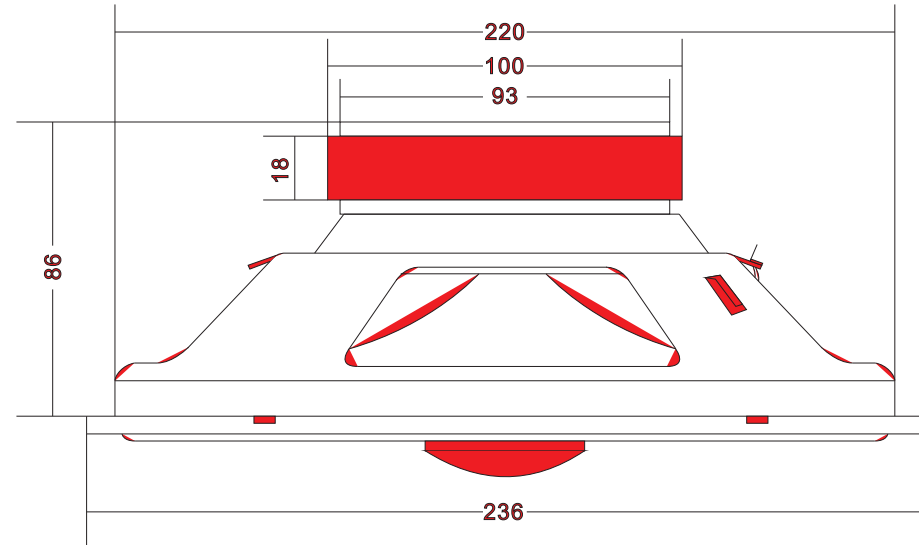


ISX65 - 6.5" COAXIAL SPEAKER

Frequency Response: 50 Hz ~ 20 KHz
Sensitivity : 90 dB

Nom. Impedance: 4 Ohm
DC Resistance (RE): 3.2 Ohm
Resonance Frequency (FS): 50 Hz
Power Handling: 150 Watts
Power Handling Continious: 75 Watts
QMS: 3.545
QES: 0.627
QTS: 0.533
VAS: 17.1 L
CMS: 589 um/N
MMS: 10.98 g
Voice Coil Diameter: 1.25"
BL: 4.64 TM



ISX69 - 6X9" COAXIAL SPEAKER

Frequency Response: 45 Hz ~ 20 KHz
Sensitivity : 88 dB

Nom. Impedance: 4 Ohm
DC Resistance (RE): 3.2 Ohm
Resonance Frequency (FS): 45 Hz
Power Handling: 200 Watts
Power Handling Continious: 100 Watts
QMS: 2.177
QES: 0.69
QTS: 0.524
VAS: 15.95 L
CMS: 549 um/N
MMS: 15.98 g
Voice Coil Diameter: 1.25"
BL: 5.02 TM

B² audio

THE CHOICE OF THE WORLD CHAMPIONS